

# ALK

AsiaLink

**Colliers pour Réservoirs d'air (FR)**

**Clamps for Air Tanks (GB)**

**Befestigungen für Druckluftbehälter (DE)**

**Fascette per serbatoi d'aria (IT)**

**Abrazaderas para depósitos de aire (ES)**

**N°3**

# Contents

- Regulations..... 3
- Protections..... 4

## STEEL

- STANDARD « U »..... 5
- STANDARD Supports..... 6
- STANDARD Clamp KITS..... 7
- STANDARD « V » shaped Clamps ..... 8
- ITALIAN « V » shaped Clamps..... 9
- One-part "STRAP" Clamps..... 10
- Two-part "STRAP" Clamps ..... 12
- Rubber KITS for "STRAP" Clamps ..... 15
- Foldable "STRAP" Clamps ..... 16
- "STRAP" Clamp Tips ..... 18
- "FLANGE" Clamps..... 19
- "STRAP" hanging clamps ..... 20

## STEEL & COMPOSITE OR MIXED

- MIXED Clamps ..... 26

## COMPOSITE

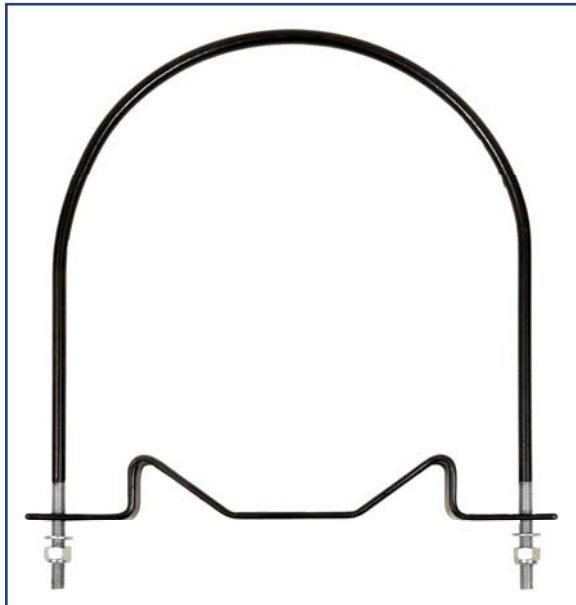
- COMPOSITE Clamps ..... 28

## VARIOUS

- RVI Clamp for Premium..... 32
- RVI Clamp for Magnum ..... 33
- ALK References - Weight - Page..... 34
- General Conditions of Sale..... 36



"STANDARD" Clamp



"V-shaped" Clamp

## ● Regulations:

The order of 14 December 1989 pertaining to the application of directive 87/404/EC stipulates in article 11 – 2: "The tank must be fixed to the vehicle by straps or clamps with none of their metal parts being in direct contact with the tank wall, so as to avoid any friction between this wall and any part of the vehicle. The tank must be suitably protected against impacts and spray from the road surface." ALK manufactures and sells clamps with a protection capable of avoiding any friction or direct contact with the tank casing. Our clamps are coated with Polyamide 11 or 12, Rubber or Rilsan. These materials have good resistance to hydrocarbons, oils, natural ageing, UV and low sensitivity to damp.

## ● History:

A few years ago, manufacturers used "foam strips" between clamps and tanks. These products are tending to be discontinued, as the foam absorbs damp, salt in winter and causes corrosion spots on the tanks. These products have been replaced by more technical products: Polyamide, Rilsan, Rubber, which do not have these disadvantages. Paint is not allowed, as the coating thickness of around 50 microns is too thin and it dilutes with some products (e.g.: Diesel, Petrol); it also has poor resistance to friction. Polyamide, which is on some of our products, has an average thickness of 800 microns and rubber has an average thickness of 2 mm.

## ● Salt Spray Test:

Products in the 70.xxx.xxZ, 71.xxx.xx, 72.xxx.xx, 73.xxx.xxZ, 75.xxx.xx, 76.xxx.xx, 77.xxx.xx, 84.xxx.xx, 88.xxx.xxZ, 92.xxx.xx, 95.xxx.xxZ, 96.xxx.xxZ, 97.xxx.xxZ, 98.xxx.xx, 99.xxx.xx ranges have undergone salt spray tests in accordance with the ISO 9227 standard. These products have been tested for between 100 and 300 hours depending on the product ranges and have fulfilled these test requirements in every respect. At your request, for these product ranges, we can provide you with certificates in the form of "Test Reports" issued by a French industrial analysis laboratory.

# Protections Sold Separately

**STEEL**

- **Roll of Self-Adhesive Foam**

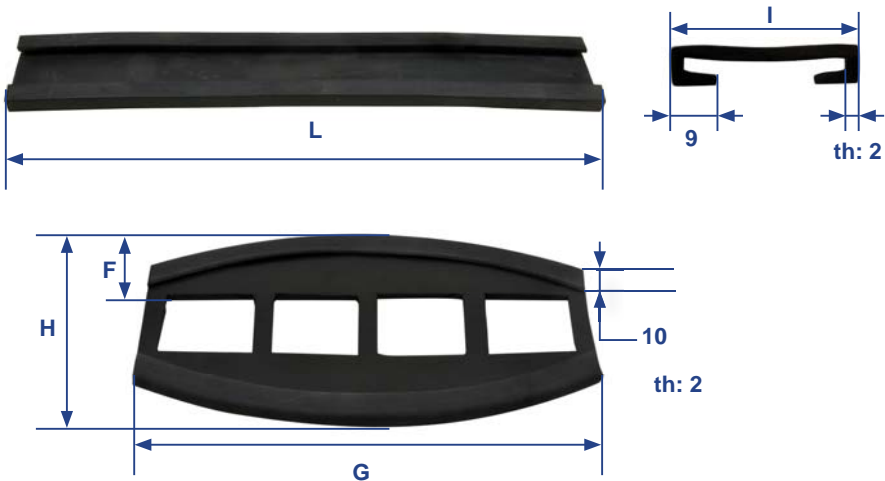
Length: 10 metres – Width: 4 cm – Thickness: 5 mm

ALK Ref. : 78.900.00



- **Rubber Kit for Clamps in the Series: 70.xxx.xx, 73.xxx.xx, 88.xxx.xx, 95.xxx.xx, 96.xxx.xx and 97.xxx.xx.**

This protection enables the fitting of these clamps in compliance with the Standard: 87/404/CE. These KITS are sold in plastic bags (1 strap protection + 1 support protection). You can also get these clamps with this protection fitted, if you specify it at the time of your order. E.g.: 97.206.00 with 93.206.00 fitted.

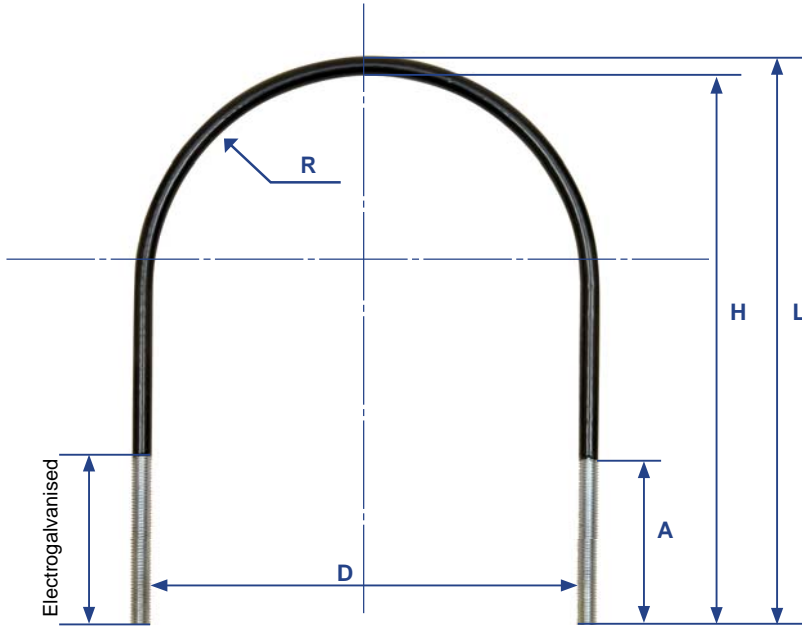


ALK Ref.	Tank Diameter = D	L	I	F	G	H
93.206.00	206	450	40	31	126	92
93.000.00	246	700	40	32	156	95
	276	700	40	32	156	95
	310	700	40	32	156	95
93.396.00	396	930	40	33	190	96

Dimensions in millimetres

D = External Diameter of the Tank in mm - th (mm) = thickness

Electrogalvanised steel with an 800-micron black Polyamide coating. M10 thread



ALK Ref.	Tank Diameter = D	R	A	H	L
75.100.00	100	50	90	185	195
75.150.00	150	75	90	210	220
75.200.00	200	100	90	270	280
75.206.00	206	103	85	276	286
75.246.00	246	123	85	316	326
75.250.00	250	125	55	290	300
75.250.02	250	125	95	330	340
75.275.00	<b>Replaced by 75.276.00</b>				
75.276.00	275 - 276	138	85	346	356
75.300.00	300	150	70	360	370
75.300.01	300	150	50	337	347
75.300.02	300	150	40	275	285
75.300.03	300	150	130	400	410
75.310.00	310	155	82	372	382
75.310.01	310	155	57	347	357
75.320.00	320	160	60	360	370
75.350.00	350	175	95	415	425
75.396.00	396	198	85	466	476
75.400.00	400	200	110	496	506

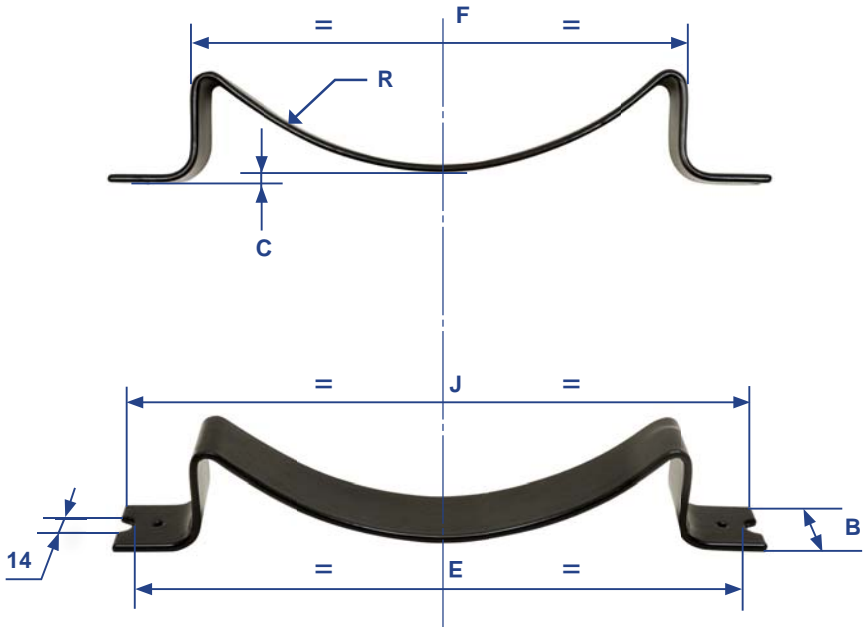
Dimensions in millimetres

D = External Diameter of the Tank in mm

# STANDARD Supports

**STEEL**

3 mm thick steel with an 800-micron black Polyamide coating.



ALK Ref.	Tank Diameter = D	R	E	F	B	J	C
76.100.00	100	50	98	78	40	110	4
76.150.00	150	75	148	130	40	160	4
76.200.00	200	100	198	149	40	210	5
76.206.00	206	103	204	155	40	216	5
76.246.00	246	123	244	172	40	256	5
76.250.00	250	125	248	176	40	260	5
76.250.01	250	125	248	176	40	260	1,5
76.275.00	<b>Replaced by 76.276.00</b>						
76.276.00	275 - 276	138	274	202	40	286	5
76.300.00	300	150	298	226	40	310	5
76.310.00	310	155	308	236	40	320	6
76.320.00	320	160	318	246	40	330	8
76.350.00	350	175	348	265	40	360	10
76.396.00	396	198	394	311	40	406	10
76.400.00	400	200	398	315	40	410	10

Dimensions in millimetres  
D = External Diameter of the Tank in mm

# STEEL

## STANDARD Clamp KITS

A KIT comprises: 2 "U" + 2 Supports + 4 Nylstop M10 Nuts.  
 Packaging: Each Kit is packed in a plastic bag.



ALK Ref.	Tank Diameter = D	Standard "U"	Standard Supports	Nylstop M10 Nuts
77.100.00	100	75.100.00	76.100.00	78.000.00
77.150.00	150	75.150.00	76.150.00	78.000.00
77.200.00	200	75.200.00	76.200.00	78.000.00
77.206.00	206	75.206.00	76.206.00	78.000.00
77.246.00	246	75.246.00	76.246.00	78.000.00
77.250.00	250	75.250.00	76.250.00	78.000.00
77.275.00	<b>Replaced by 77.276.00</b>			
77.276.00	275 - 276	75.276.00	76.276.00	78.000.00
77.300.00	300	75.300.00	76.300.00	78.000.00
77.300.01	300	75.300.01	76.300.00	78.000.00
77.310.00	310	75.310.00	76.310.00	78.000.00
77.310.01	310	75.310.01	76.310.00	78.000.00
77.320.00	320	75.320.00	76.320.00	78.000.00
77.350.00	350	75.350.00	76.350.00	78.000.00
77.396.00	396	75.396.00	76.396.00	78.000.00
77.400.00	400	75.400.00	76.400.00	78.000.00

Dimensions in millimetres

D = External Diameter of the Tank in mm

See Details 75.xxx.xx "U" page 5 and 76.xxx.xx Supports page 6



### Additional NYLSTOP Nuts

ALK Ref.: 78.000.00  
 Bag of 4 Electrogalvanised  
 NYLSTOP M10 Nuts



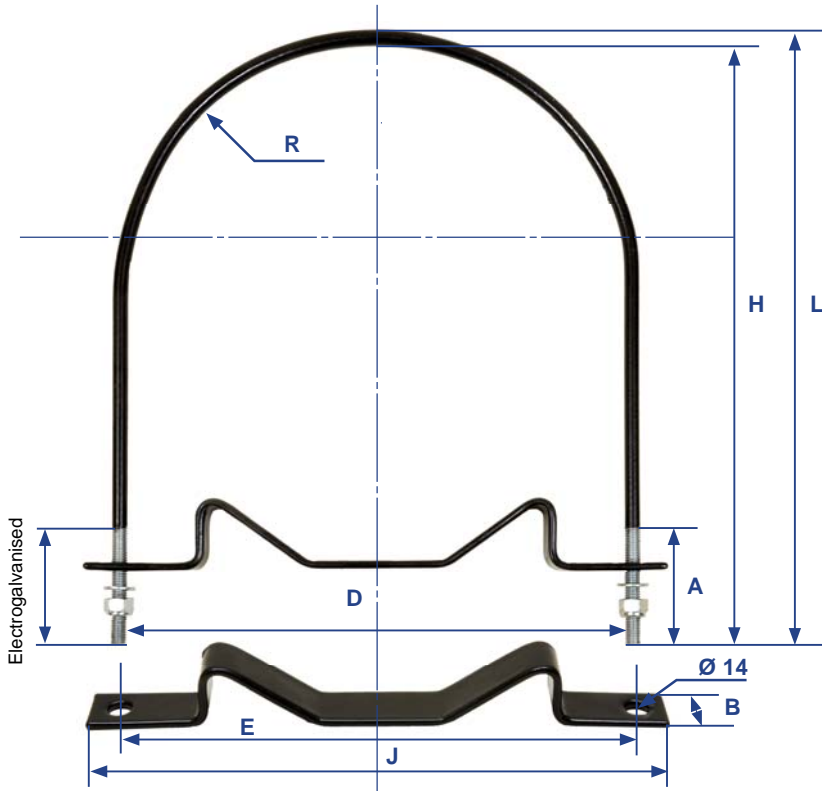
# STANDARD "V-shaped" Clamps

**STEEL**

"U": Electrogalvanised 10mm steel with an 800 micron black polyamide coating. M10 screw thread.

**Support:** 4mm-thick steel with an 800 micron black polyamide coating, with a 14mm hole at each end.

"V-shaped" clamp sold individually, not assembled, in a plastic bag:  
1 "U" + 1 Support + 2 Nylstop M10 nuts + 2 flat washers.



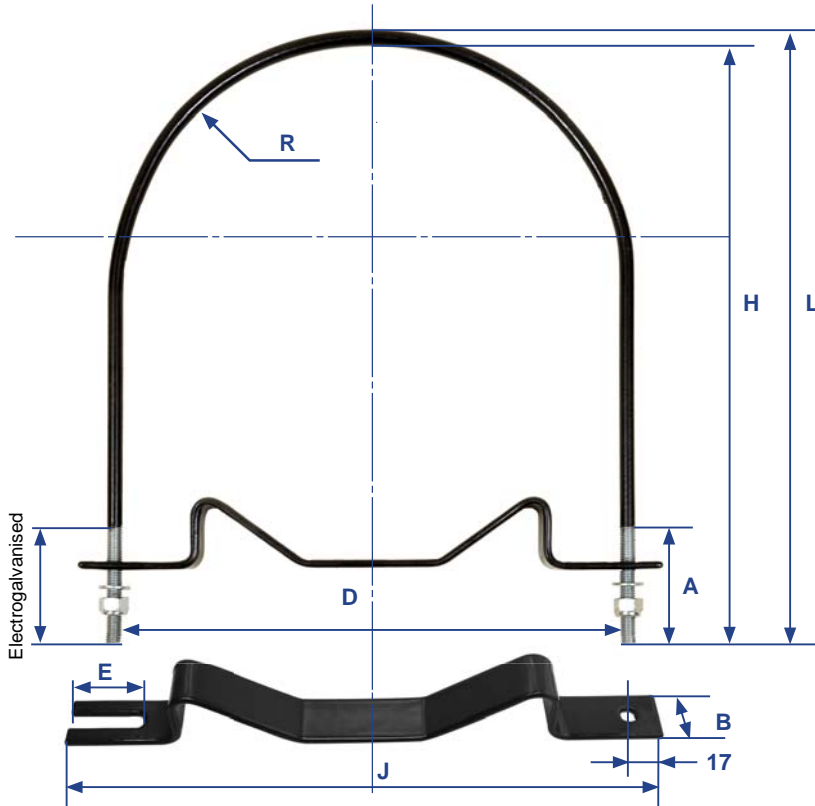
ALK Ref.	Tank Diameter = D	R	A	B	E	H	J	L
84.206.00	206	103	80	30	218	265	255	275
84.246.00	246	123	80	30	258	315	292	325
84.276.00	276	138	80	30	288	351	320	361
84.296.00	296	148	80	30	308	363	342	373
84.310.00	310	155	80	30	323	376	357	386
84.360.00	360	180	80	30	372	425	407	435
84.396.00	396	198	80	30	409	455	444	465

Dimensions in millimetres  
D = External Diameter of the Tank in mm

"U": Electrogalvanised steel with an 800 micron black polyamide coating.

- "U" M8 for ALUMINIUM tanks
- "U" M10 for STEEL tanks

**Support:** 4mm-thick steel with an 800 micron black polyamide coating, with a slot at one end and a hole at the other. **"V-shaped" clamp** sold individually, not assembled, in a plastic bag: 1 "U" + 1 Support + 2 Nylstop nuts + 2 flat washers .



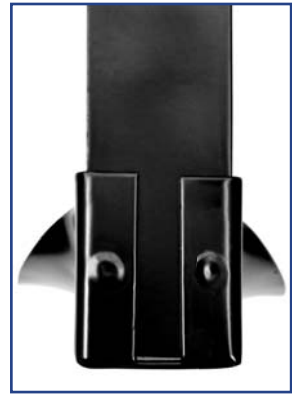
ALK Ref "U" M8	ALK Ref. "U" M10	Tank Diameter = D	R	A	B	E	H	J	L
71.206.00	72.206.00	206	103	80	30	35	265	255	275
71.246.00	72.246.00	246	123	80	30	38	315	292	325
71.276.00	72.276.00	276	138	80	30	40	351	320	361
71.296.00	72.296.00	296	148	80	30	43	363	342	373
71.310.00	72.310.00	310	155	82	30	45	372	357	382
71.310.01	72.310.01	310	155	57	30	45	347	357	357
71.360.00	72.360.00	360	180	80	30	45	425	407	435
71.396.00	72.396.00	396	198	80	30	45	455	444	465

Dimensions in millimetres

D = External Diameter of the Tank in mm



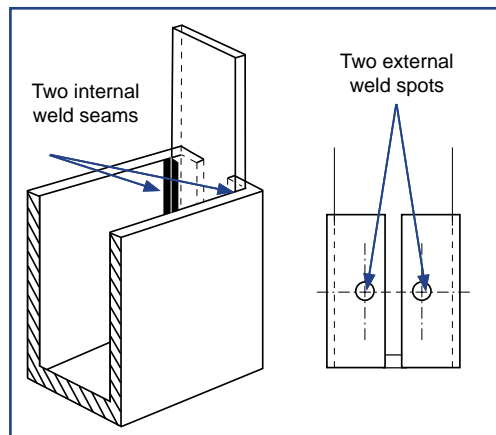
Complete Assembled clamp



Strap fixing on support

- **Increased safety**, with two internal weld seams and two external weld spots at the strap anchorage point on the support.

- These clamps are "**Phosphated**" before being painted, which protects the steel from corrosion and helps the paint to bond.



# STEEL

## One-part "STRAP" Clamps

**Sold individually** - 2 mm thick steel, "Phosphated" then coated with matt black paint or electrogalvanised.

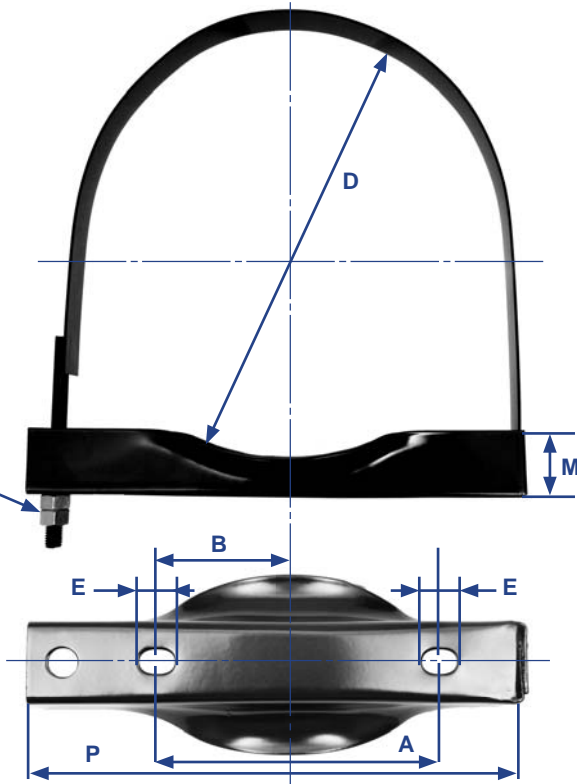
One-part "STRAP" clamp, sold individually, assembled, in a plastic bag:

1 Clamp + 2 Standard M12 nuts. Additional Standard or Nylstop M12 nuts are also sold separately in bags of 4.

RUBBER protection KIT see details on pages 4 and 15	
Enables compliance with Standard 87/404/EC	
ALK Ref.	Clamp Diameter
93.206.00	206
93.000.00	246
	276
	310
93.396.00	396

2 Standard M12 nuts

Bag of 4 additional nuts	
STANDARD M12 ALK Ref.	Thread
78.200.00	M12
NYLSTOP M12 ALK Ref.	Thread
78.300.00	M12



ALK Ref. Matt Black	ALK Ref. Electrogalvanised	Tank Diameter = D	A	B	M	P	E
88.206.00	88.206.00Z	206	130	65	43	227	11x16
88.246.00	88.246.00Z	246	180	90	43	267	11x16
88.276.00	88.276.00Z	276	180	90	43	297	11x16
88.310.00	88.310.00Z	310	200	100	43	331	11x16
88.396.00	88.396.00Z	396	250	125	43	417	11x16
95.206.00	95.206.00Z	206	122	61	43	227	12x16
95.246.00	95.246.00Z	246	162	81	43	267	12x16
95.276.00	95.276.00Z	276	192	96	43	297	12x16
95.310.00	95.310.00Z	310	227	113	43	331	12x16
95.396.00	95.396.00Z	396	307	153	43	417	12x16

Dimensions in millimetres

D = External Diameter of the Tank in mm

## Two-part "STRAP" Clamps

STEEL

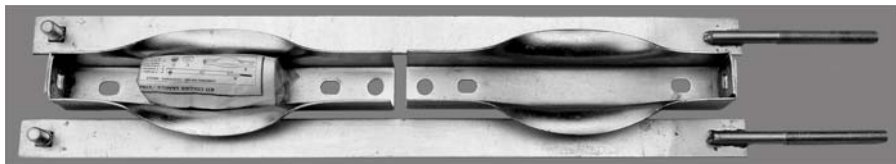


Complete Assembled Clamp

- These 2-part clamps enable a 50% gain in stock and transport volumes in comparison to the 1-part clamps.
- These clamps are "**Phosphated**" before being painted, which protects the steel from corrosion and helps the paint to bond.



Strap fixing onto the Nylstop M12 Support



Complete KIT = 2 Straps + 2 Supports + 2 flat washers + 2 Nylstop M12 nuts + 4 Standard M12 nuts + 1 set of assembly instructions.

# STEEL

## Two-part "STRAP" Clamps

**Sold in KITS of two clamps.** 2 mm thick steel, "Phosphated" then coated with matt black paint or electrogalvanised. Two-part "STRAP" clamp, sold in KITS of two clamps in a plastic bag: 2 Straps + 2 Supports + 4 Standard M12 nuts + 2 flat washers + 2 NYLSTOP M12 nuts + 1 set of assembly instructions. These 2-part clamps enable a 50% gain in stock and transport volumes in comparison to the 1-part clamps. Additional Standard or Nylstop M12 nuts are also sold separately in bags of 4.

**RUBBER protection KIT**  
see details on pages 4 and 15

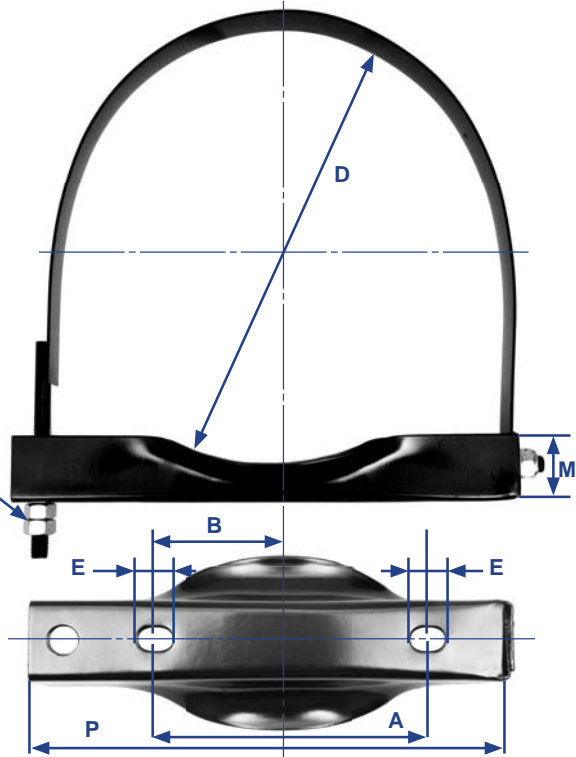
Enables compliance with Standard 87/404/EC

ALK Ref.	Clamp Diameter
93.206.00	206
93.000.00	246
	276
	310
93.396.00	396

2 Standard M12 nuts

**Bag of 4 additional nuts**

STANDARD M12 ALK Ref.	Thread
78.200.00	M12
NYLSTOP M12 ALK Ref.	Thread
78.300.00	M12



ALK Ref. Matt Black	ALK Ref. Electrogalvanised	Tank Diameter = D	A	B	M	P	E
97.206.00	97.206.00Z	206	130	65	43	229	11x16
97.246.00	97.246.00Z	246	180	90	43	269	11x16
97.276.00	97.276.00Z	276	180	90	43	299	11x16
97.310.00	97.310.00Z	310	200	100	43	333	11x16
97.396.00	97.396.00Z	396	250	125	43	419	11x16
96.206.00	96.206.00Z	206	122	61	43	229	12x16
96.246.00	96.246.00Z	246	162	81	43	269	12x16
96.276.00	96.276.00Z	276	192	96	43	299	12x16
96.310.00	96.310.00Z	310	227	113	43	333	12x16
96.396.00	96.396.00Z	396	307	153	43	419	12x16

Dimensions in millimetres

D = External Diameter of the Tank in mm

# Two-part "STRAP" Clamps

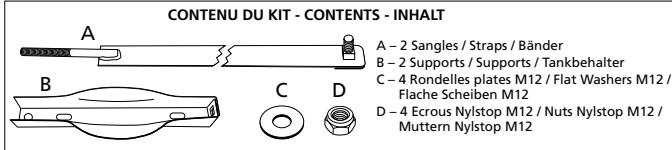
**STEEL**

Assembly instructions for 2-part "STRAP" Clamps.  
These instructions are present in each KIT.

English

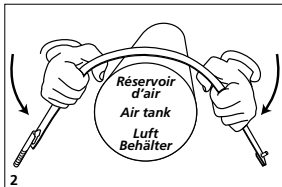
## KIT COLLIER SANGLE - STRAP SADDLE - SPANNBAND

### CONTENU DU KIT - CONTENTS - INHALT

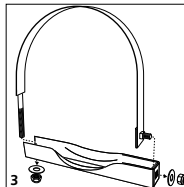


1-Déballer toutes les pièces - Unpacking all the items - Alle Stücke auspacken.

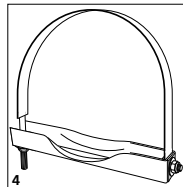
### INSTRUCTIONS DE MONTAGE - FITTING INSTRUCTIONS - MONTAGE ANWEISUNGEN



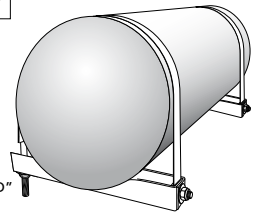
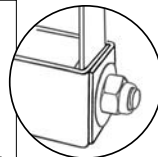
Cintrer les deux sangles "A".  
Bend the two straps "A".  
Die zwei Bänder biegen "A".



Vérifier le sens de montage.  
Check the way of fitting.  
Den Weg der Montage überprüfen.



Fixer les sangles "A" sur les Supports "B" avec les rondelles "C" et les écrous Nylstop "D".  
Fit the straps "A" on the supports "B" with the washers "C" and the Nylstop nuts "D".  
Die Bänder "A" auf den Tankbehalter "B" mit den Scheiben "C" und die Muttern Nylstop "D" befestigen.



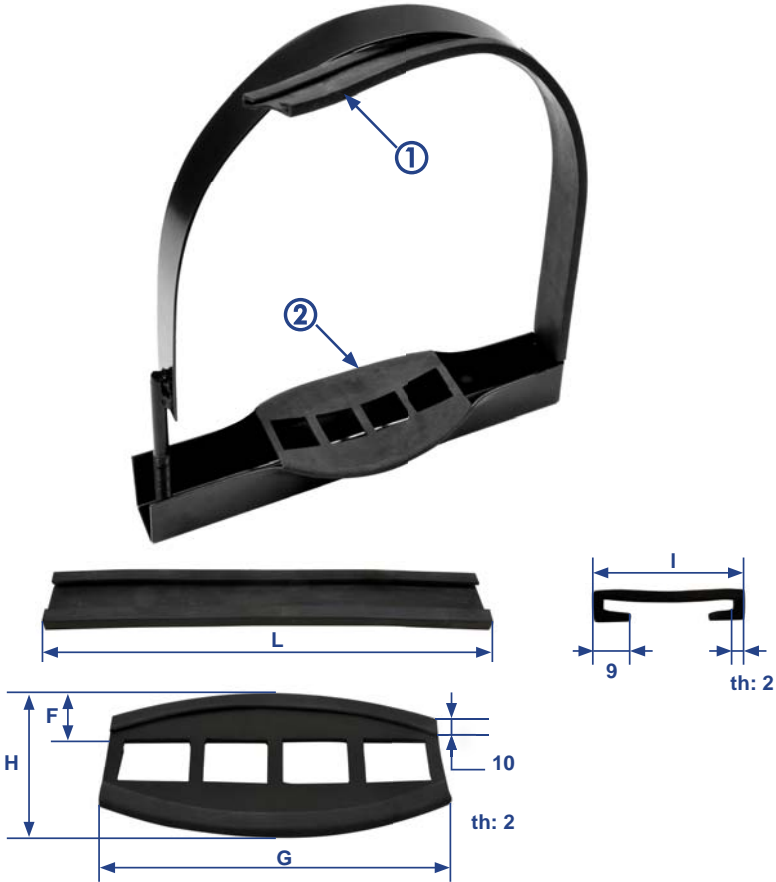
2-part clamp support



Detail of the end of the support

**Rubber Protection (Resistant to Hydrocarbons) for clamps.**

Series: 70.xxx.xx, 73.xxx.xx, 88.xxx.xx, 95.xxx.xx, 96.xxx.xx and 97.xxx.xx. This protection enables the fitting of these clamps in compliance with the Standard: 87/404/CE. These KITS are sold in plastic bags (1 strap protection ① + 1 support protection ②). You can also get these clamps with this protection fitted, if you specify it at the time of your order. E.g.: 97.206.00 with 93.206.00 fitted.



ALK Ref.	Tank Diameter = D	L	I	F	G	H
<b>93.206.00</b>	206	450	40	31	126	92
<b>93.000.00</b>	246	700	40	32	156	95
	276	700	40	32	156	95
	310	700	40	32	156	95
<b>93.396.00</b>	396	930	40	33	190	96

Dimensions in millimetres

D = External Diameter of the Tank in mm - th (mm) = thickness



# Foldable "STRAP" Clamps

STEEL



Complete Assembled Clamp.  
System Patented by "O.H.M.I"



- These foldable clamps provide 50% gain in the storage and transport volume compared to 1-part clamps.

Strap attached to the support  
with a 10mm-diameter full shaft

- These clamps are "**Phosphated**" before being painted, which protects the steel from corrosion and helps the paint to bond.



Full KIT = 2 Foldable clamps + 4 standard M12 nuts

# STEEL

## Foldable "STRAP" Clamps

Sold in KITS of two clamps. 2 mm thick steel, "Phosphated" then coated with matt black paint or electrogalvanised. .

**Foldable "Strap" Clamps** sold in KITS containing two clamps in a plastic bag:  
2 foldable clamps + 4 standard M12 nuts.

**RUBBER protection KIT**  
see details on pages 4  
and 15

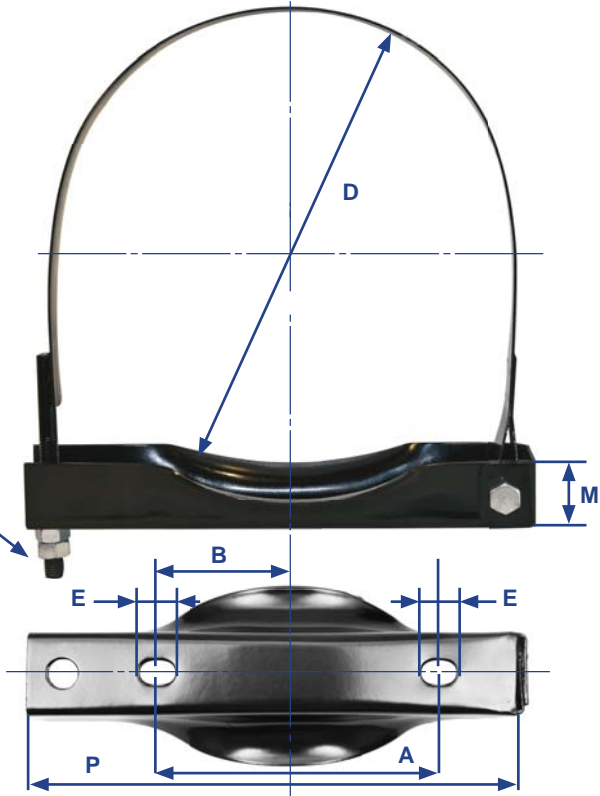
Enables compliance with  
Standard 87/404/EC

ALK Ref.	Clamp Diameter
93.206.00	206
	246
	276
93.000.00	310
	396

2 Standard M12 nuts

**Bag of 4 additional nuts**

STANDARD M12 ALK Ref.	Thread
78.200.00	M12
NYLSTOP M12 ALK Ref.	Thread
78.300.00	M12



ALK Ref. Matt Black	ALK Ref. Electrogalvanised	Tank Diameter = D	A	B	M	P	E
70.206.00	70.206.00Z	206	130	65	43	230	11x16
70.246.00	70.246.00Z	246	180	90	43	270	11x16
70.276.00	70.276.00Z	276	180	90	43	300	11x16
70.310.00	70.310.00Z	310	200	100	43	335	11x16
70.396.00	70.396.00Z	396	250	125	43	420	11x16
73.206.00	73.206.00Z	206	122	61	43	230	12x16
73.246.00	73.246.00Z	246	162	81	43	270	12x16
73.276.00	73.276.00Z	276	192	96	43	300	12x16
73.310.00	73.310.00Z	310	227	113	43	335	12x16
73.396.00	73.396.00Z	396	307	153	43	420	12x16

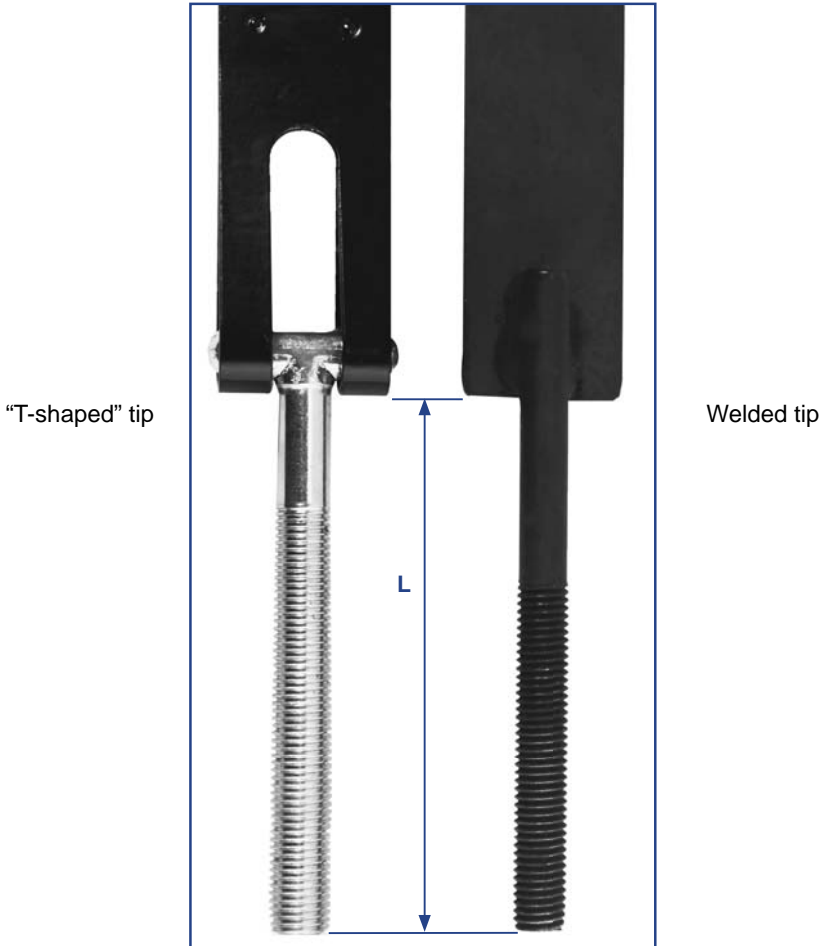
Dimensions in millimetres

D = External Diameter of the Tank in mm

## "STRAP" Clamp Tips

STEEL

With all "STRAP" clamps ref.: 70.xxx.xx, 73.xxx.xx, 88.xxx.xx, 95.xxx.xx, 96.xxx.xx, 97.xxx.xx you have a choice between two types of tips: welded tip or "T-shaped" tip.



All our clamps are delivered in the "Standard" form with a welded tip, this is the least expensive solution. The removable "T-shaped" tip enables you to reduce the size of the packaging from 120 to 150 mm (L).

To order a "STRAP" clamp with a "T-shaped" tip add a "T" at the end of the usual reference code.

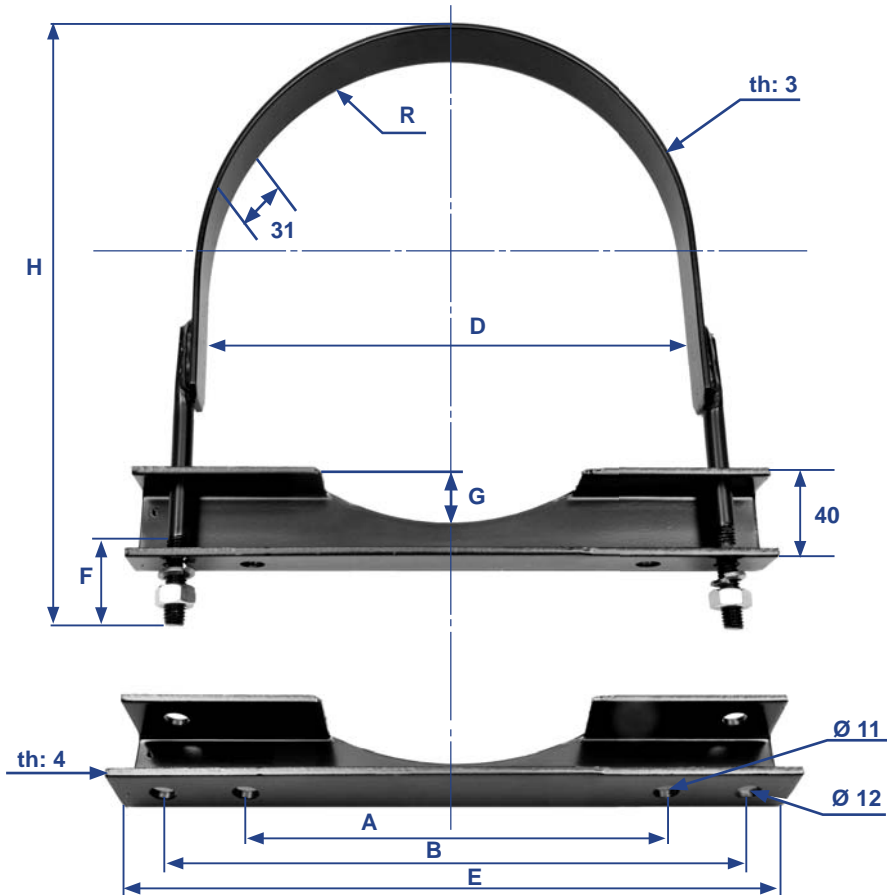
# STEEL

## "FLANGE" Clamps

Steel coated with matt black paint. M10 thread.

"FLANGE" clamp sold individually, not assembled, in a plastic bag:

1 Strap + 1 Support + 2 "Grower" washers + 2 Standard M10 nuts.



ALK Ref.	Tank Diameter = D	R	A	B	E	F	G	H
87.206.00	206	103	130	218	250	70	16	258
87.246.00	246	123	180	258	290	70	16	298
87.276.00	276	138	180	288	320	70	17	331
87.310.00	310	155	200	322	354	70	18	364
87.396.00	396	198	250	408	440	70	18	449

Dimensions in millimetres

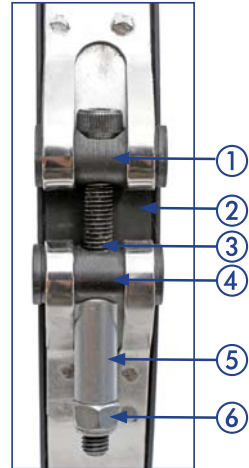
D = External Diameter of the Tank in mm - th (mm) = thickness

# "STRAP" hanging clamps

STEEL



Full mounted clamp with "A" type support



### Locking System:

- 1 - Unthreaded trunnion
- 2 - Insulating plastic strap
- 3 - M8 "Allen" Screw
- 4 - Threaded trunnion
- 5 - Security Tip
- 6 - M8 nylstop nut

### TYPE "A" STAMPED SUPPORT



This type of support allows for 55 mm between the frame and the tank. It accepts straps up to 35 mm wide.

### TYPE "B" STAMPED SUPPORT

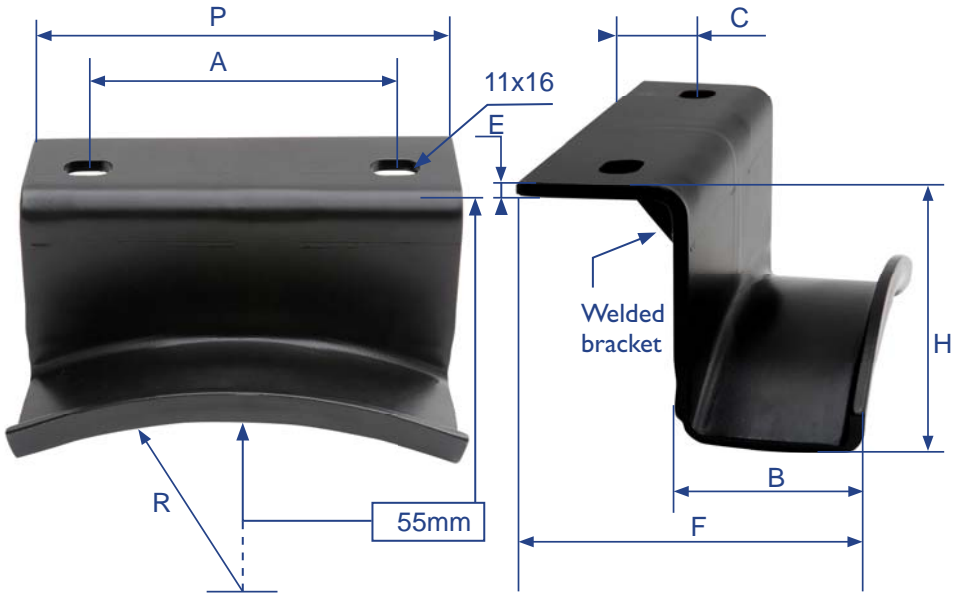


This type of support allows for only 23mm between the frame and the tank. It accepts straps up to 35 mm wide .

## TYPE "A" STAMPED SUPPORT

Steel with a thickness of 4 mm .

Electrogalvanised and coated with 50 micron thick layer epoxy black paint.  
 Distance between the chassis of the vehicle and the top of the tank = 55 mm.  
 These supports accept straps up to 35 mm wide and are attached to the chassis by two M10 screws (not included). Sold individually in a plastic bag.



ALK Ref.	Tank Diameter = D	R	A	B	C	E	F	H	P
79.150.00	150	75	42	51	22	4	92	63	68
79.200.00	200	100	60	51	22	4	92	66	90
79.206.00	206	103	66	51	22	4	92	66	92
79.246.00	246	123	78	51	22	4	92	68	110
79.250.00	250	125	80	51	22	4	92	68	112
79.276.00	275-276	138	88	51	22	4	92	69	124
79.300.00	300	150	96	51	22	4	92	71	134
79.310.00	310	155	100	51	22	4	92	71	140
79.350.00	350	175	112	51	22	4	92	73	156
79.396.00	396	198	126	51	22	4	92	76	176
79.400.00	400	200	128	51	22	4	92	76	180

Dimensions in millimetres

D = External Diameter of the Tank in mm - th (mm) = thickness

# "STAMPED" Support

STEEL

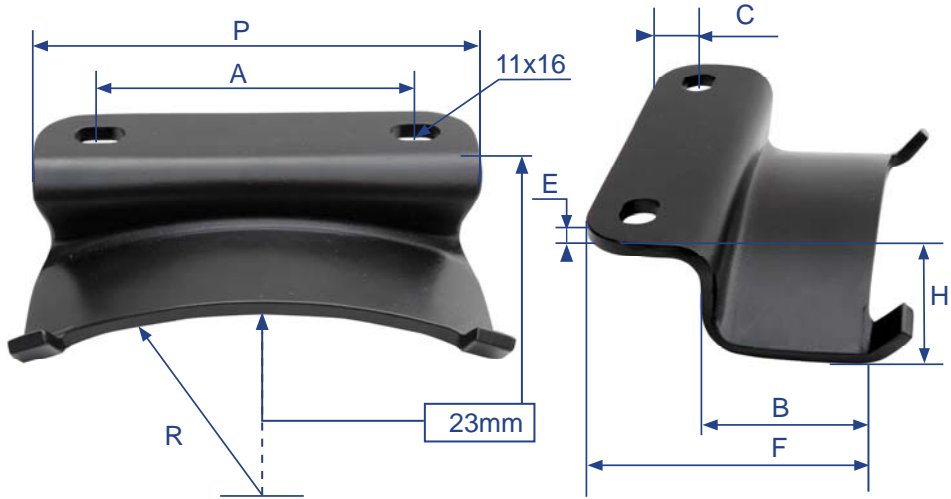
## TYPE "B" STAMPED SUPPORT

Steel with a thickness of 5 mm.

Electrogalvanised and coated with 50 micron thick layer epoxy black paint.

Distance between the chassis of the vehicle and the top of the tank = 23 mm.

These supports accept straps up to 35 mm wide and are attached to the chassis by two M10 screws (not included). Sold individually in a plastic bag.



ALK Ref.	Tank Diameter = D	R	A	B	C	E	F	H	P
80.150.00	150	75	42	48	15	5	83	31	68
80.200.00	200	100	60	48	15	5	83	34	90
80.206.00	206	103	66	48	15	5	83	34	92
80.246.00	246	123	78	48	15	5	83	36	110
80.250.00	250	125	80	48	15	5	83	36	112
80.276.00	275-276	138	88	48	15	5	83	37	124
80.300.00	300	150	96	48	15	5	83	39	134
80.310.00	310	155	100	48	15	5	83	39	140
80.350.00	350	175	112	48	15	5	83	41	156
80.396.00	396	198	126	48	15	5	83	44	176
80.400.00	400	200	128	48	15	5	83	44	180

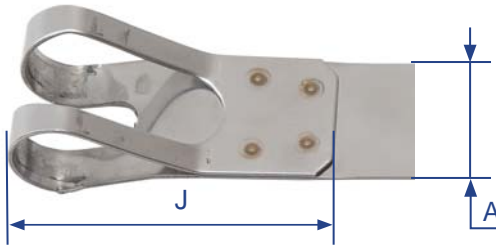
Dimensions in millimetres

D = External Diameter of the Tank in mm

## STEEL STRAPS

These straps have an "E" thickness from 1 to 1.8 mm depending on their composition and diameter.

The standard steel versions are painted black and the stainless steel versions are uncoated. Sold individually in a plastic bag.



Four fastening points at the Close of each loop and the shape of the strap mean that the trunnion and screw can be rotated easily.

ALK Ref. Steel	E	ALK Ref. Stainless	E	Tank Diameter = D	R	A	J	L
81.150.00	1,5	82.150.00	1,0	150	75	33	67	474
81.200.00	1,5	82.200.00	1,0	200	100	33	67	631
81.206.00	1,5	82.206.00	1,0	206	103	33	67	650
81.246.00	1,5	82.246.00	1,0	246	123	33	67	775
81.250.00	1,5	82.250.00	1,0	250	125	33	67	788
81.276.00	1,5	82.276.00	1,0	275-276	138	33	67	870
81.300.00	1,8	82.300.00	1,5	300	150	33	67	945
81.310.00	1,8	82.310.00	1,5	310	155	33	67	976
81.350.00	1,8	82.350.00	1,5	350	175	33	67	1102
81.396.00	1,8	82.396.00	1,5	396	198	33	67	1247
81.400.00	1,8	82.400.00	1,5	400	200	33	67	1259

Dimensions in millimetres

D = External Diameter of the Tank in mm

E = thickness of the strap in mm



### INSULATING PLASTIC STRAPS

These straps are 1,10 mm thick and prevent the steel strap and the support coming into contact with the air tank. They have their own fastening system and remain in position when fastened. Sold individually in a plastic bag.

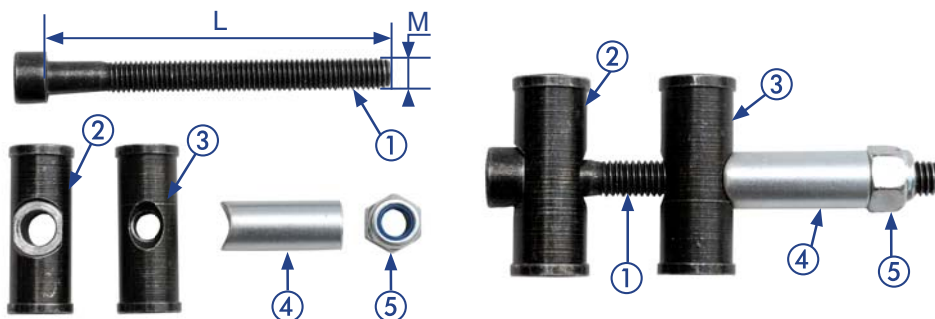


ALK Ref.	Tank Diameter = D	A	L	ALK Ref.	Tank Diameter = D	A	L
83.150.00	150	40	546	83.300.00	300	40	1017
83.200.00	200	40	703	83.310.00	310	40	1048
83.206.00	206	40	722	83.350.00	350	40	1174
83.246.00	246	40	847	83.396.00	396	40	1318
83.250.00	250	40	860	83.400.00	400	40	1331
83.276.00	275-276	40	942				

Dimensions in millimetres  
D = External Diameter of the Tank in mm

### LOCKING SYSTEM

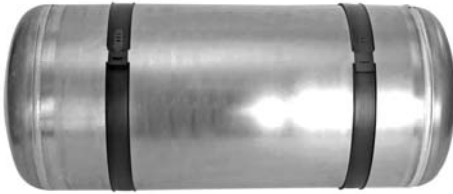
Identical for all clamps, it consists of an M8 "Allen" screw (1), with a trunnion Dia:16 mm non-threaded (2), with a trunnion Dia:16 mm threaded (3), with a security tip (4) and a Nylstop safety nut (5). Available in ST37 steel "Autoblack" or stainless steel. Sold individually in a plastic bag.



ALK Ref.	Tank Diameter = D	M	L	Material
85.000.00	All diameters	M8	90	ST37 Autoblack steel
86.000.00	All diameters	M8	90	SS409 stainless steel

Dimensions in millimetres  
D = External Diameter of the Tank in mm

This fastening system prevents the steel strap and support coming into contact with the air tank.



1 - Position and tighten the two plastic straps.



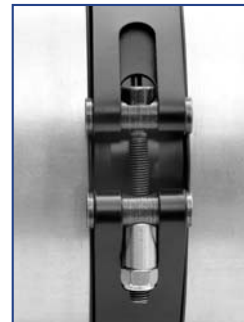
2- the support "ON" the plastic straps to prevent them coming into contact with the air tank.



3- Place the steel straps "ON" the stamped support and "ON" the plastic straps. Tighten with a N°6 ALLEN key.



4- Tighten and secure the entire unit by fitting the two security tips with the two NYLSTOP nuts.



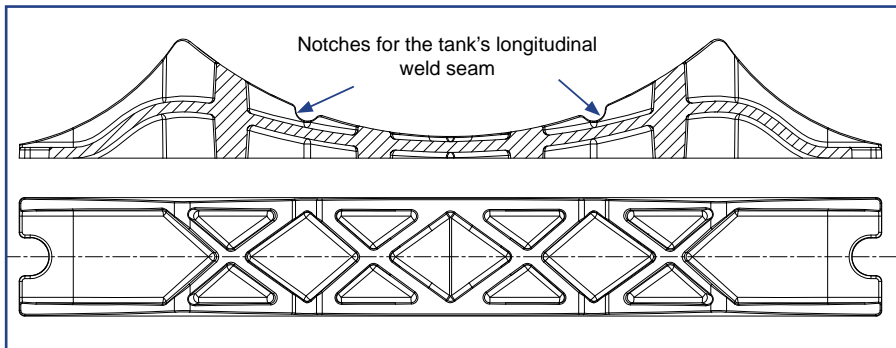
## "MIXED" Clamps

MIXED

Black-coloured "**Polyamide**" 6 support with 30% fibreglass strengthening.



Is fitted instead of a "Standard" steel support, type 76.xxx.xx (see details on page 6), they have the same space requirement dimensions.



Due to its composition, this composite support can come directly into contact with the tanks and comply with standard 87/404/CE.



This support enables a substantial weight saving in comparison to steel and prevents any corrosion over time.

## Steel "U" and composite support

① - **STANDARD "U"** in electrogalvanised steel with an 800-microns black Polyamide coating. M10 thread. See full table on page 5.

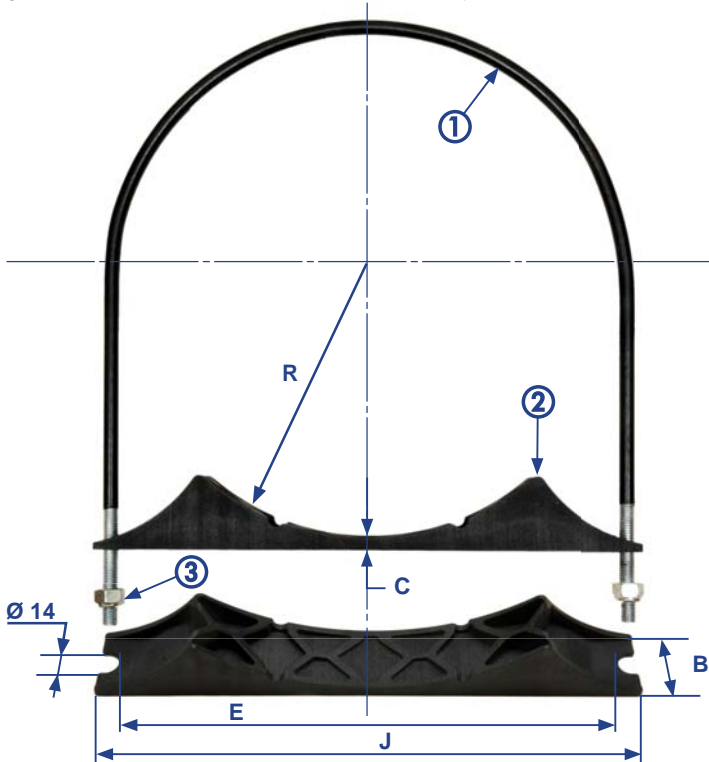
② - **"COMPOSITE"** support that you can buy on its own (individually) or in KIT format with STANDARD "U".

Just Support Ref. = "COMPOSITE" Support sold on its own individually.

KIT Ref. = 2 STANDARD "U" + 2 "COMPOSITE" Supports + 4 Nylstop M10 nuts.

③ - **Nylstop M10 nuts.** Bag of 4 Nylstop M10 nuts, **ALK Ref. = 78.000.00.**

This bag can be sold on its own but is automatically included in all our KITS.



ALK Ref. Just Support	ALK Ref. KIT	Tank Diameter = D	R	E	B	J	C
98.150.00	99.150.00	150	75	148	44	170	7
98.200.00	99.200.00	200	100	198	44	220	8
98.250.00	99.250.00	250	125	248	44	270	8
98.300.00	99.300.00 (*) 99.300.01 (*)	300	150	298	44	320	8
98.350.00	99.350.00	350	175	348	44	370	13
98.400.00	99.400.00	400	200	398	44	420	13

Dimensions in millimetres

D = External Diameter of the Tank in mm

(\*) = 99.300.00 Sold with "U" 75.300.00 / 99.300.01 Sold with "U" 75.300.01

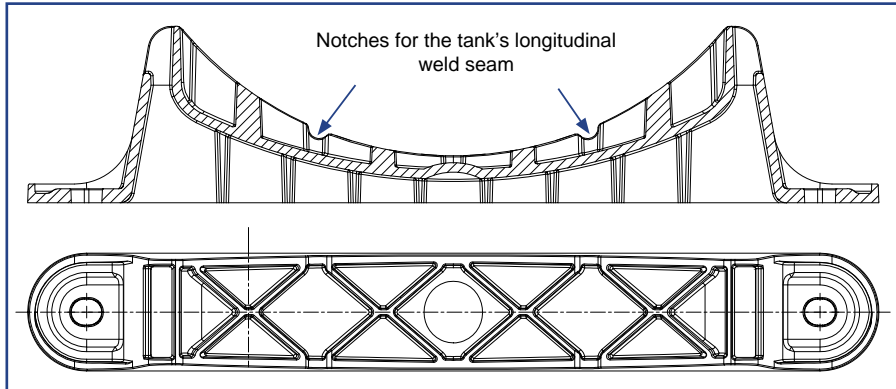
# 100% "COMPOSITE" Clamps

COMPOSITE

Support with Strap and Closure Clip Unit in "COMPOSITE".  
Black-coloured "Polyamide" 6 support with 30% fibreglass strengthening, with a 30 mm wide blue-coloured Polyester strap and blue-coloured hard plastic Clip.



Is fitted instead of a "Standard" steel support, type 76.xxx.xx,  
(see details on page 6), they have the same space requirement dimensions.



It has taken 10 years of research and development to perfect these Products. They are now commonly used in original equipment production by HGV and trailer manufacturers.

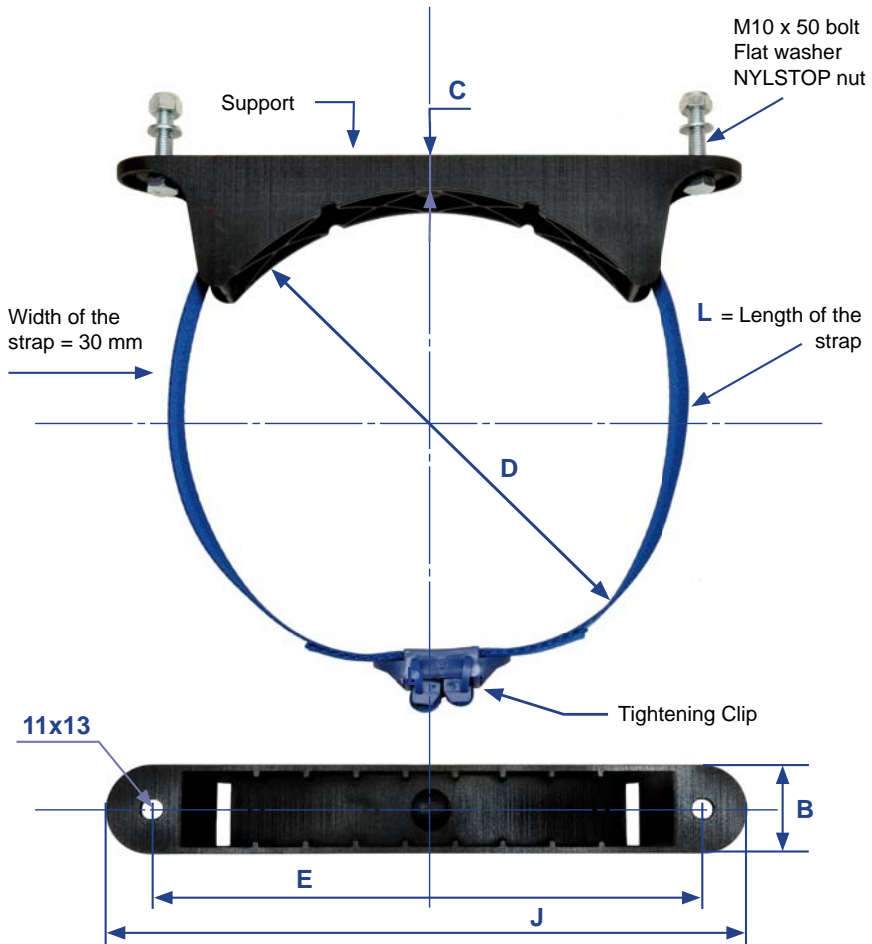


Due to its composition, this composite support can come directly into contact with the tanks and comply with standard 87/404/CE. This support enables a substantial weight saving in comparison to steel and prevents any corrosion over time.

# COMPOSITE

## 100% "COMPOSITE" Clamps

"COMPOSITE" clamp sold individually, packed in a plastic bag:  
 1 composite support + 1 polyester strap + 1 clip + 2 M10 x 50 bolts + 2 flat washers + 2 NYLSTOP M10 nuts.



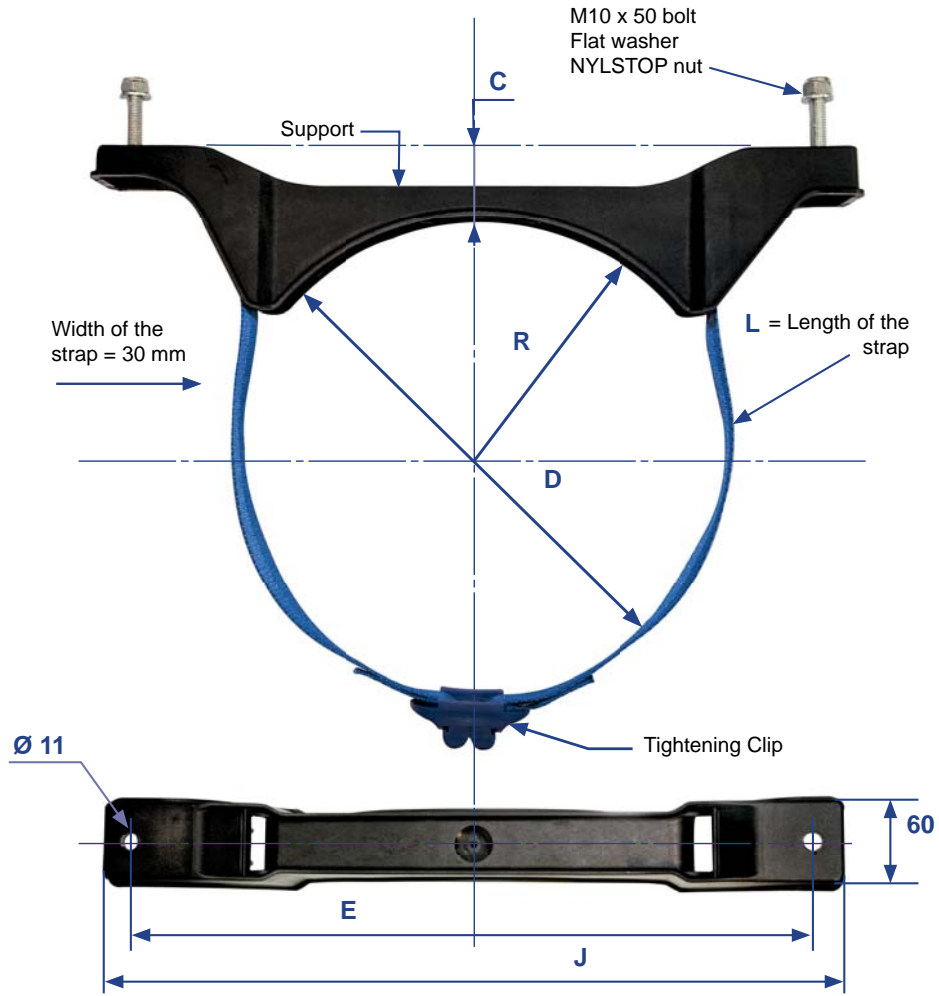
ALK Ref.	Tank Diameter = D	B	C	E	J	L
92.150.00	150	50	19	161	211	950
92.200.00	200	50	19	211	261	1300
92.250.00	250	50	19	261	311	1600
92.300.00	300	50	20	311	361	2000
92.350.00	350	50	25	361	411	2200
92.400.00	400	50	25	411	461	2500

Dimensions in millimetres  
 D = External Diameter of the Tank in mm

# 100% "COMPOSITE" Clamps



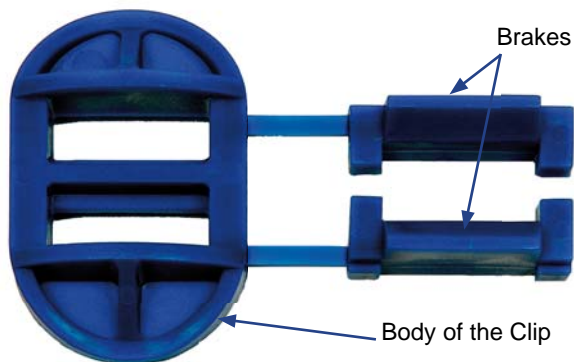
"COMPOSITE" clamp sold individually, packed in a plastic bag:  
 1 composite support + 1 polyester strap + 1 clip + 2 M10 x 50  
 bolts + 2 flat washers + 2 NYLSTOP M10 nuts.



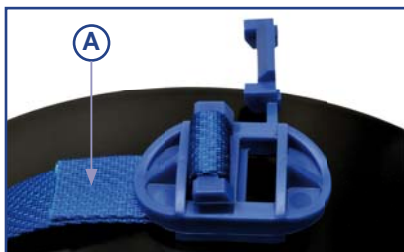
ALK Ref.	Tank Diameter = D	R	C	E	J	L
74.300.00	300	150	43	430	475	2000
74.310.00	310	155	43	430	475	2000
74.320.00	320 (*)	160	43	430	475	2000
74.328.00	328	164	43	430	475	2000
74.330.00	330	165	43	430	475	2000

Dimensions in millimetres  
 D = External Diameter of the Tank in mm (\*) 74.320.00= Réf.RVI: 50.10.051.524

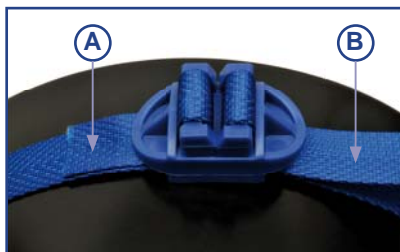
Hard plastic tightening CLIP.



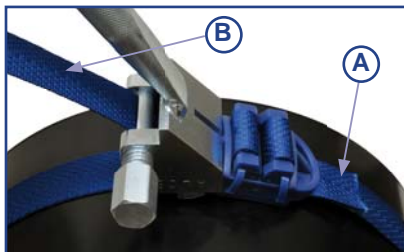
### Fitting the CLIP with a 30 mm wide Polyester strap



**1** - Put the strap around a first brake and leave 30 mm of the strap over (min.) **(A)**.



**2** -Put the strap around the second brake **(B)** without cutting the excess, you will need it for tightening.



**3** - Position the tensioning tool and put the strap **(B)** (longest side) into the slot of the tool.



**4** - With a 19 mm wrench, tension the strap to around 60 newtons/metre, then cut (\*) the strap on each side of the CLIP at a distance of 30 mm (min.).

Strap-tensioner tool

ALK Ref.: 89.594.00

(\*) This strap can take a straight cold cut (not bevelled), but it is preferable to make a hot cut (heated blade).



# "RVI" Clamp

RVI

Clamps for Air Tanks ext. dia.: 250 mm. RVI: PREMIUM

- ① - Steel Clamp th.: 3 mm / Coating: Epoxy paint or White electrogalvanised.
- ② - Rubber th.: 2 mm / Good resistance to hydrocarbons.
- ③ - M8 x 40 bolt + flat washer + M8 Nylstop nut.



CLAMP  
Dia.: 250

ALK Ref.: 89.599.00 - Epoxy paint  
ALK Ref.: 89.599.00Z - White electrogalvanised

RVI Ref.:  
50.10.314.042

### Fitting of air tanks onto the following vehicles:

PREMIUM Tractors and trucks (6 clamps per vehicle).  
KERAX  
MIDLUM  
MAXTER 4x2 and 4x4.  
AE MAGNUM 380 / 385TI / 390 / 420TI / 500 / 520.  
AE MAGNUM E-TECH 400 / 440 / 480.  
MANAGER "G": 170 / 210 / 220 / 230 / 260 / 270 / 290 / 340.  
RANGE "M": 150 / 180 / 210 / 220 / 230TI / 250.  
RANGE "S": 120 / 130 / 140 / 135 / 150 / 160 / 170.  
RANGE "R": 310 / 330 / 340 / 365.  
GB/TB: 131 / 191 / 231.  
GR/GC: 191 / 231.  
TF 231.



## Clamp for Air Tanks ext. dia.: 320 mm. RVI: MAGNUM

This clamp comprises three parts: One polyamide support ④ + one polyester strap ② + one hard plastic clip ①. We also offer you the tool ③ which will enable you to tension the strap when it is replaced.



1 - CLIP	ALK Ref. (2 CLIPS): 89.593.00	RVI Ref: 50.10.317.003
2 - STRAP	ALK Ref. (4 metres): 89.592.00	RVI Ref: 56.89.330.578
3 - STRAP TENSIONER	ALK Ref. (1 tool): 89.594.00	RVI Ref: 50.00.265.107
4 - SUPPORT	ALK Ref. (1 support) : 74.320.00	RVI Ref : 50.10.051.524

### Fitting of "Air Tanks" onto the following Vehicles:

AE – MAGNUM 380 / 385TI / 420TI / 500 / 520.  
 AE – MAGNUM 390 / 430 / 470 / 560.  
 AE – MAGNUM E-TECH 400 / 440 / 480.

### Fitting of "Air Filters" onto the following Vehicles:

AE – MAGNUM all types .  
 PREMIUM.  
 KERAX.  
 MIDLUM.



# ALK Reference - Weight - Page

ALK Ref.	Description	Weight	Page
70.206.00	Foldable « strap » Clamps	1,69	17
70.246.00	Foldable « strap » Clamps	1,94	17
70.276.00	Foldable « strap » Clamps	2,13	17
70.310.00	Foldable « strap » Clamps	2,22	17
70.396.00	Foldable « strap » Clamps	2,80	17
71.206.00	"V-shaped" Ital. Clamps M8 D: 206	0,50	9
71.246.00	"V-shaped" Ital. Clamps M8 D: 246	0,59	9
71.276.00	"V-shaped" Ital. Clamps M8 D: 276	0,66	9
71.296.00	"V-shaped" Ital. Clamps M8 D: 296	0,68	9
71.310.00	"V-shaped" Ital. Clamps M8 D: 310	0,71	9
71.310.01	"V-shaped" Ital. Clamps M8 D: 310	0,70	9
71.360.00	"V-shaped" Ital. Clamps M8 D: 360	0,84	9
71.396.00	"V-shaped" Ital. Clamps M8 D: 396	0,92	9
72.206.00	"V-shaped" Ital. Clamps M10 D: 206	0,61	9
72.246.00	"V-shaped" Ital. Clamps M10 D: 246	0,72	9
72.276.00	"V-shaped" Ital. Clamps M10 D: 276	0,81	9
72.296.00	"V-shaped" Ital. Clamps M10 D: 296	0,83	9
72.310.00	"V-shaped" Ital. Clamps M10 D: 310	0,87	9
72.310.01	"V-shaped" Ital. Clamps M10 D: 310	0,85	9
72.360.00	"V-shaped" Ital. Clamps M10 D: 360	1,02	9
72.396.00	"V-shaped" Ital. Clamps M10 D: 396	1,13	9
73.206.00	Foldable « strap » Clamps D: 206	1,69	17
73.246.00	Foldable « strap » Clamps D: 246	1,94	17
73.276.00	Foldable « strap » Clamps D: 276	2,13	17
73.310.00	Foldable « strap » Clamps D: 310	2,22	17
73.396.00	Foldable « strap » Clamps D: 396	2,80	17
74.300.00	Composite Clamp D:300	0,60	24
74.310.00	Composite Clamp D:310	0,62	24
74.320.00	Composite Clamp D:320	0,65	24
74.328.00	Composite Clamp D:328	0,67	24
74.330.00	Composite Clamp D:330	0,69	24
75.100.00	Standard "U" D:100	0,17	5
75.150.00	Standard "U" D:150	0,26	5
75.200.00	Standard "U" D:200	0,33	5
75.206.00	Standard "U" D:206	0,34	5
75.246.00	Standard "U" D:246	0,36	5
75.250.00	Standard "U" D:250 L:300	0,37	5
75.250.02	Standard "U" D:250 L:340	0,40	5
75.275.00	Replaced by 75.276.00	0,42	5
75.276.00	Standard "U" D:276	0,42	5
75.300.00	Standard "U" D:300 L:370	0,46	5
75.300.01	Standard "U" D:300 L:347	0,43	5
75.300.02	Standard "U" D:300 L:285	0,37	5
75.300.03	Standard "U" D:300 L:410	0,48	5
75.310.00	Standard "U" D:310 L:382	0,47	5
75.310.01	Standard "U" D:310 L:357	0,45	5
75.320.00	Standard "U" D:320	0,49	5
75.350.00	Standard "U" D:350	0,51	5
75.396.00	Standard "U" D:396	0,60	5
75.400.00	Standard "U" D:400	0,61	5
76.100.00	Standard Support D:100	0,14	6
76.150.00	Standard Support D:150	0,20	6
76.200.00	Standard Support D:200	0,23	6
76.206.00	Standard Support D:206	0,24	6
76.246.00	Standard Support D:246	0,28	6
76.250.00	Standard Support D:250 C:5	0,30	6

ALK Ref.	Description	Weight	Page
76.250.01	Standard Support D:250 C:1.5	0,29	6
76.275.00	Replaced by 76.276.00	0,35	6
76.276.00	Standard Support D:276	0,35	6
76.300.00	Standard Support D:300	0,38	6
76.310.00	Standard Support D:310	0,39	6
76.320.00	Standard Support D:320	0,42	6
76.350.00	Standard Support D:350	0,46	6
76.396.00	Standard Support D:396	0,52	6
76.400.00	Standard Support D:400	0,53	6
77.100.00	Standard Clamp KIT D:100	0,72	7
77.150.00	Standard Clamp KIT D:150	1,02	7
77.200.00	Standard Clamp KIT D:200	1,25	7
77.206.00	Standard Clamp KIT D:206	1,26	7
77.246.00	KIT Col.Standard D:246	1,38	7
77.250.00	KIT Col.Standard D:250	1,44	7
77.275.00	Replaced by 77.276.00	1,64	7
77.276.00	Standard Clamp KIT D:276	1,64	7
77.300.00	Standard Clamp KIT D:300 L:370	1,75	7
77.300.01	Standard Clamp KIT D:300 L:347	1,68	7
77.310.00	Standard Clamp KIT D:310 L:382	1,82	7
77.310.01	Standard Clamp KIT D:310 L:357	1,79	7
77.320.00	Standard Clamp KIT D:320	1,92	7
77.350.00	Standard Clamp KIT D:350	2,04	7
77.396.00	Standard Clamp KIT D:396	2,34	7
77.400.00	Standard Clamp KIT D:400	2,38	7
78.000.00	Bag of 4 Nylstop M10 nuts	0,05	7
78.200.00	Bag of 4 Stand. M12 nuts	0,06	11
78.300.00	Bag of 4 Nylstop M12 nuts	0,07	11
78.900.00	10 m Roll of Foam	0,36	4
79.150.00	Stamped Support "A" D:150	0,34	21
79.200.00	Stamped Support "A" D:200	0,45	21
79.206.00	Stamped Support "A" D:206	0,46	21
79.246.00	Stamped Support "A" D:246	0,55	21
79.250.00	Stamped Support "A" D:250	0,56	21
79.276.00	Stamped Support "A" D:276	0,62	21
79.300.00	Stamped Support "A" D:300	0,67	21
79.310.00	Stamped Support "A" D:310	0,69	21
79.350.00	Stamped Support "A" D:350	0,78	21
79.396.00	Stamped Support "A" D:396	0,88	21
79.400.00	Stamped Support "A" D:400	0,89	21
80.150.00	Stamped Support "B" D: 150	0,25	22
80.200.00	Stamped Support "B" D: 200	0,33	22
80.206.00	Stamped Support "B" D: 206	0,34	22
80.246.00	Stamped Support "B" D: 246	0,41	22
80.250.00	Stamped Support "B" D: 250	0,42	22
80.276.00	Stamped Support "B" D: 276	0,46	22
80.300.00	Stamped Support "B" D: 300	0,50	22
80.310.00	Stamped Support "B" D: 310	0,52	22
80.350.00	Stamped Support "B" D: 350	0,59	22
80.396.00	Stamped Support "B" D: 396	0,67	22
80.400.00	Stamped Support "B" D: 400	0,68	22
81.150.00	Steel strap D: 150	0,22	23
81.200.00	Steel strap D: 200	0,30	23
81.206.00	Steel strap D: 206	0,31	23
81.246.00	Steel strap D: 246	0,37	23
81.250.00	Steel strap D: 250	0,37	23

Weight in kilograms



# Non-Contractual Translation of the "General Conditions of Sale".

## Only the French version is legally valid.

### 1. GENERAL

Any order implies compliance without reservations with the general conditions below, which are the only ones that govern our sales and services, with the explicit exclusion of the client's general conditions (in particular purchasing) or of any other document issued by him, the provisions which appear in them being cancelled as of right and without any formalities.

All orders are only valid, and the sale or services contract is only deemed to have been concluded, when they have been explicitly accepted in writing in the form of an order acknowledgement, drawn up by our company, including when offers are made by our representatives or members of our staff. If need be, in addition to the written confirmation of the order by our company by order acknowledgement, the order will only be valid, and the sale or services contract will only be deemed to have been concluded, when all or part of the price of the order has been received by our company.

Our company reserves the right to require full or part payment when the order is placed if the financial situation seems to require this.

Orders by telephone, fax, minitel or Internet are only accepted at the client's responsibility.

The seller's offers are only valid for a maximum period of one month as from the date of their dispatch.

Weights given in quotations are for information purposes only and cannot under any circumstances be the reason for a complaint or price reduction.

### 2. MANAGEMENT OF CLIENT ACCOUNTS

We reserve the right to make the opening of an account, or the application of our conditions, conditional on obtaining accounting, financial and legal documentation and, if need be, guarantees.

Any opening of an account is only valid after our management's agreement.

The performance of an initial order will not depart from this rule.

Any granting of payment terms is conditional on a prior financial analysis.

### 3. PRICES

Our prices are understood to be exclusive of tax, all additional duties and taxes are to be borne by the purchaser.

Our basic prices (price list) must not under any circumstances be deemed to be retail sales prices.

We reserve the right to change our prices without notification.

The prices applied are those that are in force on the date of the order.

We reserve the option of making any technical modification (or improvement) to our products, without notification.

Our prices are understood to be ex our warehouses, insurance, packaging and transport not included.

The conditions for applying carriage and packaging paid, along with price increase for orders with a low monetary value or delivered over the counter, are the subject of special conditions.

### 4. LEADTIMES

Leadlines are given for information purposes and do not constitute an obligation on our part to deliver on the date indicated. However, we will strive to adhere to the leadtimes as far as it is possible to do so.

If need be, the starting point for the leadtimes is delayed until the effective payment of the deposit scheduled for this order.

We do not accept any penalty or indemnity of whatever nature for a delay in delivery.

Our delivery obligations are suspended as of right and without any formalities and we are relieved of any liability in the case of the occurrence of events such as: strikes, failure of a supplier, restriction or prohibition of import, etc., as well as in the case of the occurrence of any circumstances outside our control and that of our suppliers, which have arisen after conclusion of the contract and which prevent performance under normal conditions.

### 5. SHIPMENTS AND TRANSPORT

All our goods are sold ex our warehouses or depots. As a result, the client bears the risks for the goods sold as soon as they leave our warehouses, the choice of haulier being the responsibility of the client, even in the event of "free" or "payment on delivery" shipment, with these indications only having to be considered to be provisions relating to transport costs.

Notwithstanding the reservation of title clause stipulated below, our goods travel and are unloaded at the recipient client's risk and the latter must check their condition as soon as they arrive and exercise recourse against the haulier, if need be. In the event of missing items or damage, the recipient must himself state any reservations that he deems to be necessary to the haulier responsible, on delivery of the goods. In addition, within three working days following receipt of the transported goods, he must notify the haulier of his protest with the evidence for it, by an extrajudicial deed or by recorded delivery letter, at the risk of losing any right of recourse against the haulier and/or our company.

### 6. PAYMENT

Our invoices are for cash payment to our Head Office, unless otherwise stipulated, accepted by us. A discount will be applied in the event of prior payment under the conditions provided for under the special stipulations.

Any payment delay relating to any due date whatsoever leads, as of right and without prior notice, to:

- Forfeiture of the time period for all orders executed and not paid, even if they have given rise to bills of exchange.
- Suspension of the execution and cancellation of ongoing orders, if our company so wishes.
- Cancellation of all credit notes and/or price reductions acquired and/or to be established.

In compliance with the provisions of the amended Law 92.1442 of 31 December 1992, any professional purchaser, after formal notification by recorded delivery letter with acknowledgment of receipt, will be liable to a penalty for delay of

payment calculated by applying an interest rate equivalent to 1.5 times the legal interest rate to all the remaining sums due.

In the event of a change in the purchaser's situation, in particular in the event of death, incapacity, winding up or modification of the company, mortgaging of its immovable property, sale or pledging of its business, we reserve the right, even after partial execution of an order, to require a payment in advance or guarantees or to cancel, if need be, the balance of the order.

### 7. COMPLAINTS AND RETURNS

All complaints regarding incomplete or non-compliant delivery or for a visible defect, must be sent to us in writing, immediately after receipt of the goods.

If this is not the case, no subsequent complaint can be taken into consideration by our company.

In general terms, our company's liability is strictly limited to the obligation to replace the non-conforming goods, to the exclusion of any damages.

Returns of goods are only accepted after our company's prior written agreement.

The transport of the returned goods is at the costs and risk of the purchaser.

The returned goods must be in a perfectly preserved condition, in their original wrapping and packaging and show no sign of disassembly, installation or use.

### 8. RESERVATION OF TITLE

We reserve the right to ownership of the products sold until settlement of the full price and the incidental charges.

The presentation of a bill of exchange or any other security that simply creates an obligation to pay does not constitute a payment. However, as the risks of the item have been transferred to the purchaser as from shipment, he undertakes to insure them and to indicate our status as owner to his insurer. We grant to dealers and manufacturers the right of resale of our products by normal commercial channels, in revocable terms.

This right will cease, ipso jure and without any formalities, in the event of full or part non-payment of any amount due whatsoever.

The purchaser is obliged to inform us by recorded delivery letter with acknowledgement of receipt, without delay, of any seizure attempt. He undertakes to maintain our ownership rights under all circumstances.

In the event of failure to make full or part payment of the price of the goods on the due date, these must be returned to us at our first written request at the costs and risk of the purchaser who undertakes to do so, with this being eight days after formal notification by recorded delivery letter with acknowledgement of receipt sent to the purchaser, this having remained without effective response, in all or in part, during this time.

### 9. GUARANTEES

The seller undertakes to remedy any operating defect arising from a fault of materials design within the limits of the provisions below:

- The guarantee is explicitly restricted to the free replacement of the defective parts provided free at our address. The repair or replacement of parts does not extend the guarantee period.
- Labour costs for disassembly and reassembly of the products on vehicles or other equipment are to be borne by the client, except where there are special contractual conditions.
- The guarantee clause does not cover deteriorations arising from normal use, lack of maintenance, negligence, defective assembly or abnormal use, or from an act of God or force majeure.
- The guarantee will be withdrawn from any part which has undergone a modification without the seller's prior written agreement.

Duration and starting point:

Unless there is a special stipulation, the guarantee only applies to defects that appear during a period of six months (guarantee period). The guarantee period runs as from the date of delivery.

Purchaser's obligations:

To be able to assert the benefit of these provisions, the purchaser must inform the seller in writing of the defects he ascribes to the product and provide any evidence that these are real.

Unless explicitly agreed by the seller, he must abstain from carrying out the repair(s) or from having them carried out by a third party.

The transport costs for the defective parts, along with those for the return after repair or replacement, are borne by the purchaser.

### 10. CANCELLATION CLAUSE

In the event of failure by the client to perform any of his obligations whatsoever, by dint of these documents and eight days after formal notification by recorded delivery letter with acknowledgement of receipt which has remained, wholly or partially, without effective response, the sale will be cancelled as of right, immediately and without any formalities: Partial advance payments that may have been made by the client, being acquired by the seller as initial damages and without prejudice to any other damages.

### 11. PENALTY CLAUSE

In the event of legal action for recovery of our debt, we reserve the right to make a legal claim, under the terms of a penalty clause, for a sum equivalent to 15% of the amount due as the principal, with a minimum of 2,000 euros exclusive of tax, to take into account the fees and fixed costs arising from the said action.

### 12. JURISDICTION

In the event of any dispute whatsoever over a delivery or payment for it, the commercial court of CRETEIL will have sole jurisdiction, even in the case of multiple defendants or of introduction of third parties for any dispute with commercial clients.

The domiciliation of commercial papers and our acceptances of payment do not lead either to novation or to derogation regarding this granting of jurisdiction.

No contrary clause of the purchaser can depart from this jurisdiction clause, except where there is explicit written acceptance on our part.

The products in this catalogue are not original parts, they are adaptable. The references of origin are only given for information purposes. The photos are not contractual. Any reproduction of this catalogue, in full or in part, is forbidden without the written agreement of ALK Sarl. Copyright ALK 2012 / Reg. No.: 433 684 313 000 11.

**ALK (AsiaLink)**  
9, Rue Condorcet  
Zone Industrielle  
**94430 CHENNEVIERES-SUR-MARNE**  
France

Tél. : 00.33 (0)1.56.31.28.32

Fax. : 00.33 (0)1.56.31.28.33

Mail : [alk@alkfrance.com](mailto:alk@alkfrance.com)

Web : [www.alkfrance.com](http://www.alkfrance.com)